

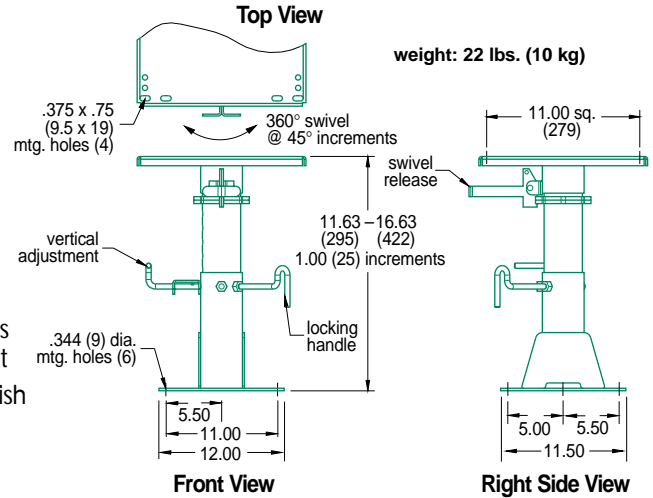
adjustable height swivel pedestal



6400-004

- * five 1" height adjustments from 11.63" - 16.63"
- * "easy-cam" height adjustment handle
- * counterweight spring for ease of height adjustment
- * locking swivel in 45 degree increments
- * unique ball bearing guide reduces binding during height adjustment
- * polyester TGIC powder baked finish for high corrosion resistance

not FMVSS approved

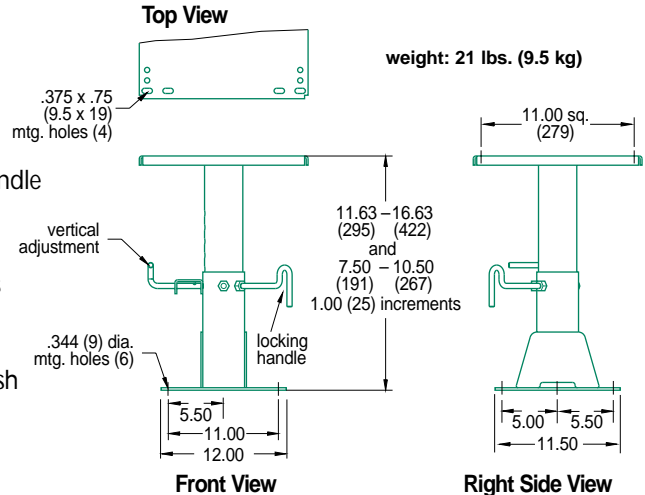


adjustable height pedestal



6400-022 / 6400-021

- * five 1" height adjustments from 11.63" - 16.63" (#6400-022)
- * three 1" height adjustments from 7.50" - 10.50" (#6400-021)
- * "easy-cam" height adjustment handle
- * counterweight spring for ease of height adjustment
- * unique ball bearing guide reduces binding during height adjustment (#6400-022 only)
- * polyester TGIC powder baked finish for high corrosion resistance
- * meets FMVSS approval as of date of manufacture



heavy duty adjustable height pedestal

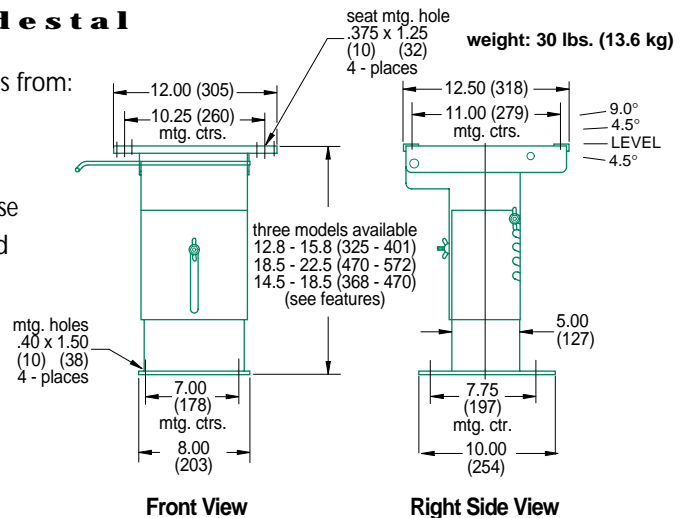


4855 / 4860 / 4861

- * 1" vertical height adjustments from:
 12.8" - 15.8" (#4855)
 18.5" - 22.5" (#4860)*
 14.5" - 18.5" (#4861)
- * box design provides solid base
- * 4-position tilt adjustment and full forward tilt
- * polyester TGIC powder baked finish for high corrosion resistance

not FMVSS approved

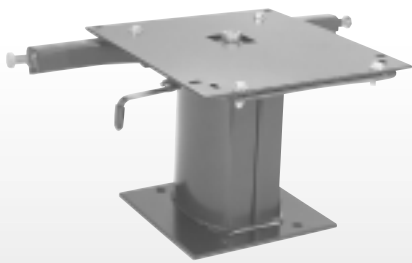
*Minimum quantity required.



H. O. BOSTROM

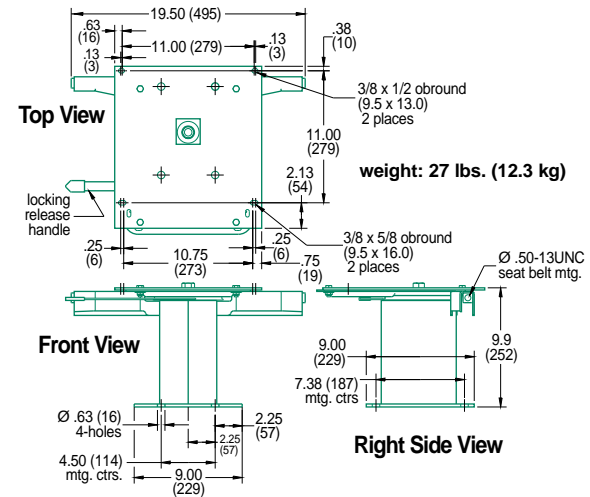
H. O. BOSTROM COMPANY INC.
 818 PROGRESS AVENUE • WAUKESHA, WI 53186 USA
 800-332-5415 • 414-542-0222 • FAX 414-542-3784
 WWW.HOBOSTROM.COM

swivel pedestal w/seatbelt mounting



3328-254

- * steel pedestal with 360 degree swivel with forward lock
- * seat belt mountings
- * 9.9" in height
- * polyester TGIC powder baked finish for high corrosion resistance
- * meets FMVSS as of date of manufacture

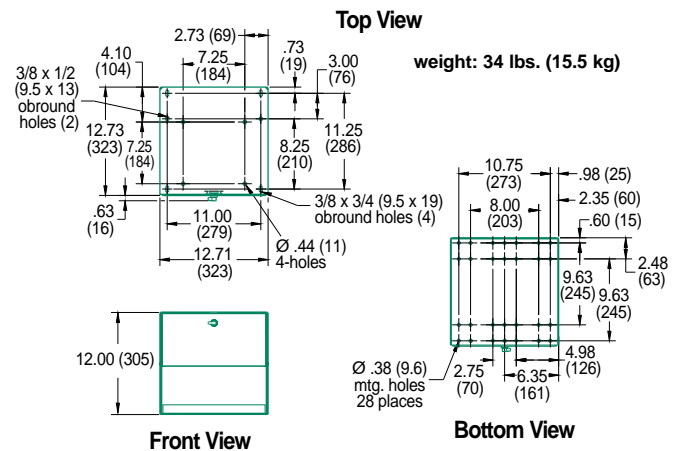


seat riser cabinet

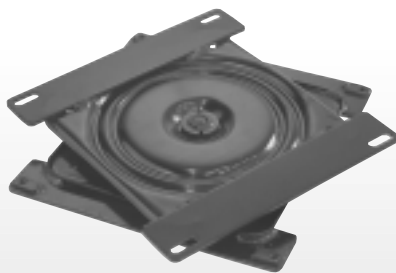


3328-201

- * open and closed (with door) storage space
- * 12" in height
- * polyester TGIC powder baked finish for high corrosion resistance
- * meets FMVSS as of date of manufacture

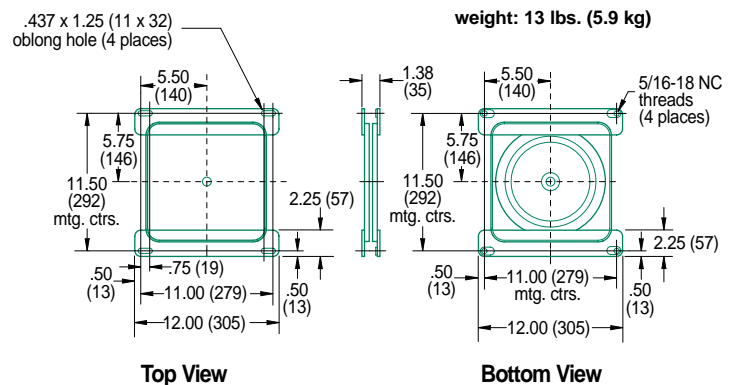


heavy duty swivel assembly



6980

- * low profile, heavy duty swivel
- * non-locking



not FMVSS approved



H. O. BOSTROM

H. O. BOSTROM COMPANY INC.
 818 PROGRESS AVENUE • WAUKESHA, WI 53186 USA
 800-332-5415 • 414-542-0222 • FAX 414-542-3784
 WWW.HOBOSTROM.COM